

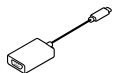
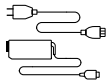
**ThinkPad**<sup>®</sup>L490/L590

# Setup Guide

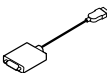
**Lenovo**

# Unpack

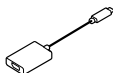
---



\* Lenovo USB-C to  
VGA Adapter



\* Lenovo HDMI to VGA  
Adapter



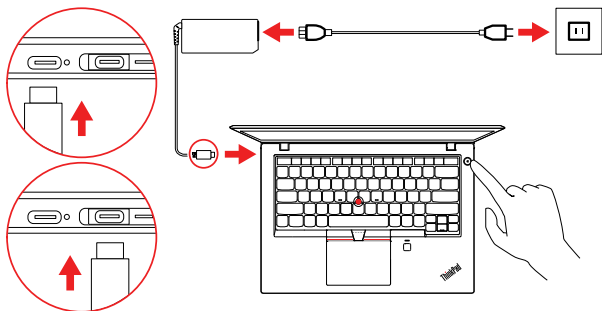
\* Lenovo USB-C to  
DisplayPort Adapter

\* For selected models

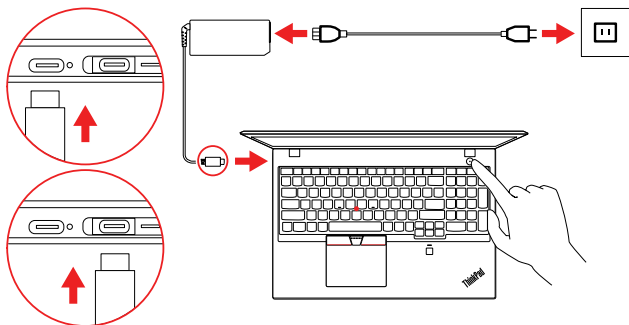
# Initial Setup

---

L490

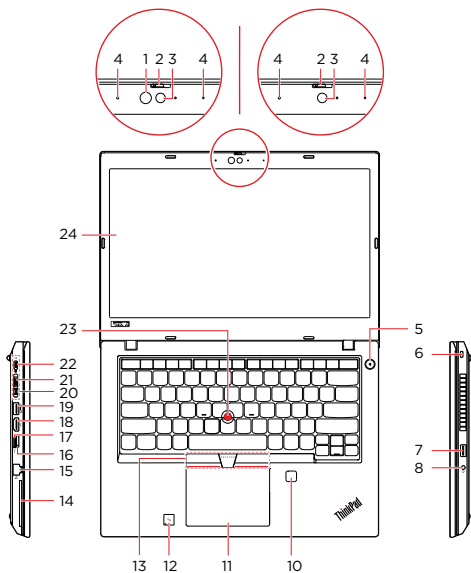


L590



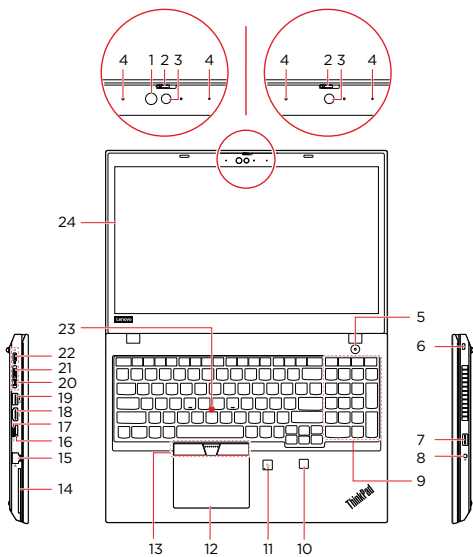
# Overview

L490



# Overview

L590



- \* 1. Infrared camera
- \* 2. ThinkShutter
- \* 3. Camera
- 4. Microphones
- 5. Power button
- 6. Security-lock slot
- 7. USB 3.1 connector Gen 1
- 8. Audio connector
- 9. Numeric keypad
- \* 10. Fingerprint reader
- \* 11. NFC mark
- 12. Trackpad
- 13. TrackPoint® buttons
- \* 14. Smart-card slot
- 15. Ethernet connector
- \* 16. Nano-SIM card slot
- 17. microSD card slot
- 18. HDMI™ connector
- 19. Always On USB 3.1 connector Gen 1
- 20. Docking-station connector
- 21. USB-C connector (USB 3.1 Gen 2)
- 22. USB-C™ connector (USB 3.1 Gen 1)
- 23. TrackPoint pointing stick
- \* 24. Multi-touch screen

\* For selected models

 Read the statement on USB transfer rate in the *User Guide*. Refer to the *Safety and Warranty Guide* for accessing the *User Guide*.

# Additional information

---

## European Union – compliance with the Radio Equipment Directive

Hereby, Lenovo (Singapore) Pte. Ltd., declares that the radio equipment type ThinkPad L490/L590 is in compliance with Directive 2014/53/EU.

The full text of the system EU declaration of conformity and the EU wireless module declarations are available at the following Internet addresses:

- For notebook computers:  
<https://www.lenovo.com/eu-doc-notebooks>
- For tablets:  
<https://www.lenovo.com/eu-doc-tablets>

This radio equipment operates with the following frequency bands and maximum radio-frequency power:

Technology	Frequency band [MHz]	Maximum transmit power
WLAN 802.11b/g/n	2400 - 2483.5	< 20 dBm
WLAN 802.11a/n/ac	5150 - 5725	< 23 dBm
WLAN 802.11a/n/ac	5725 - 5875	< 13.98 dBm
Bluetooth BR/EDR/LE	2400 - 2483.5	< 20 dBm
WWAN UMTS	1/8	< 24.5 dBm
WWAN LTE	1/3/7/8/20/28	< 24 dBm
NFC	13.56	< -5.31 dB $\mu$ A/m @10m

---

First Edition (April 2019)

© Copyright Lenovo 2019.

LIMITED AND RESTRICTED RIGHTS NOTICE: If data or software is delivered pursuant to a General Services Administration "GSA" contract, use, reproduction, or disclosure is subject to restrictions set forth in Contract No. GS-35F-05925.

Reduce | Reuse | Recycle

