

Setup
Installation
Instalación

Installazione
Instalação
Installatie

Aseennus
Installasjon
Instalacja

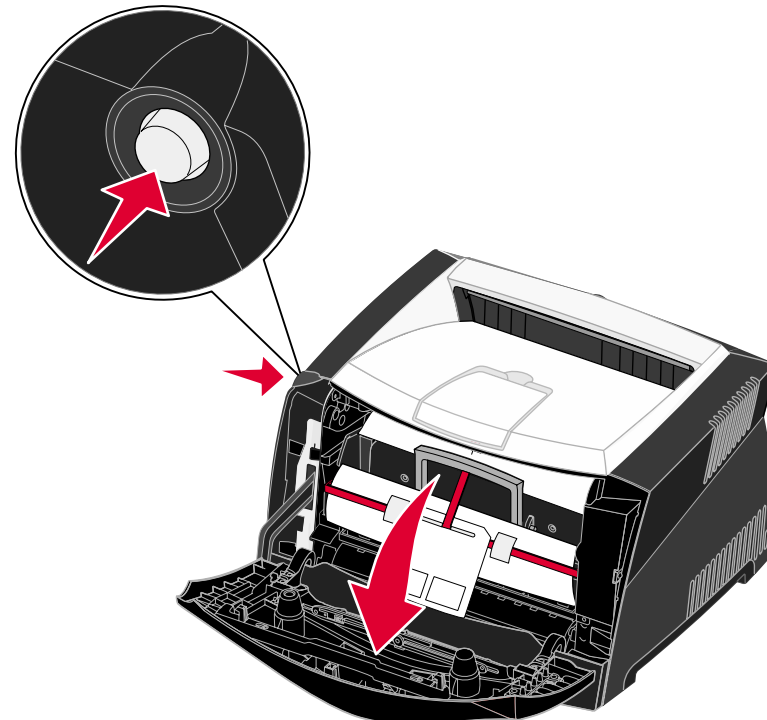
Руководство
по установке
설치

设置
安裝

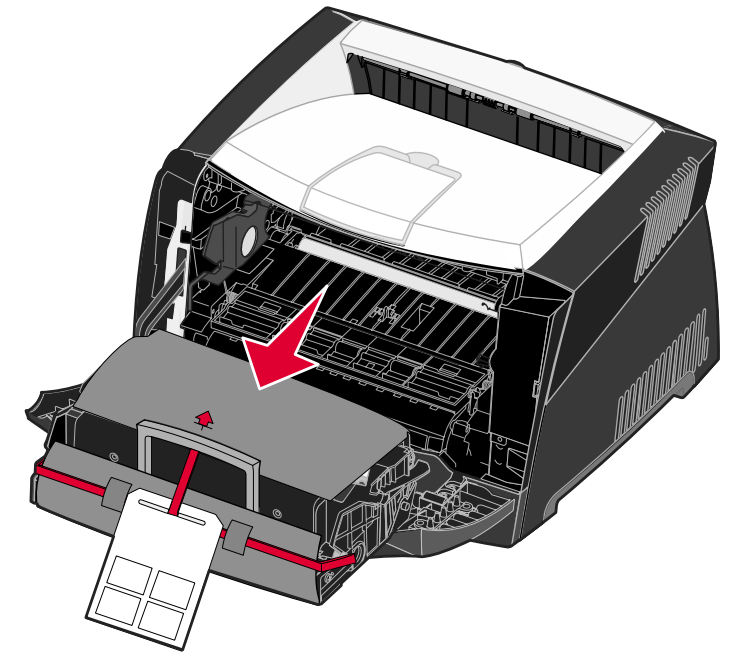
1



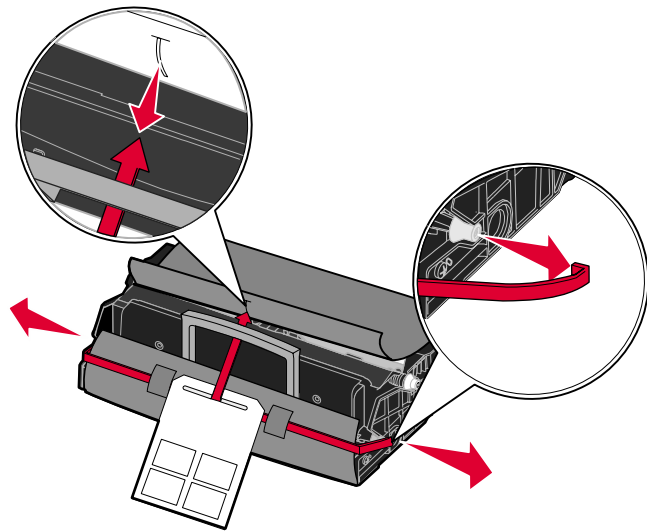
2



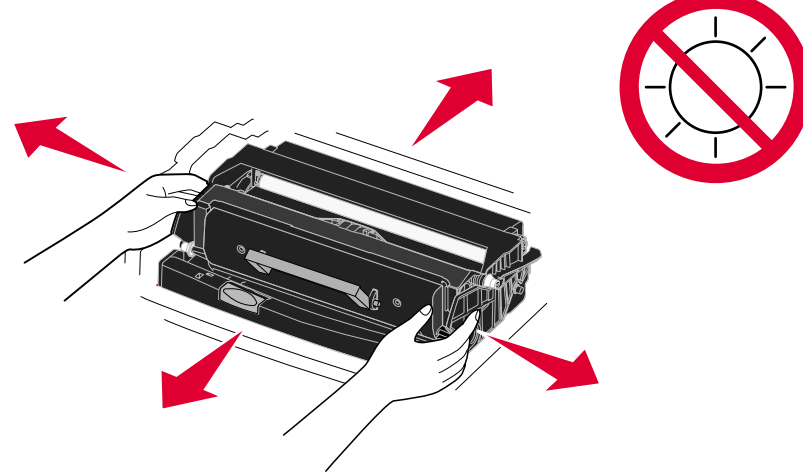
3



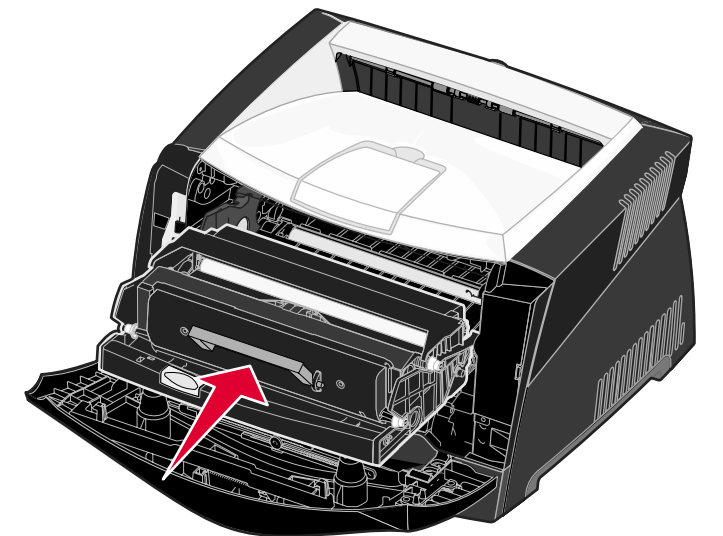
4



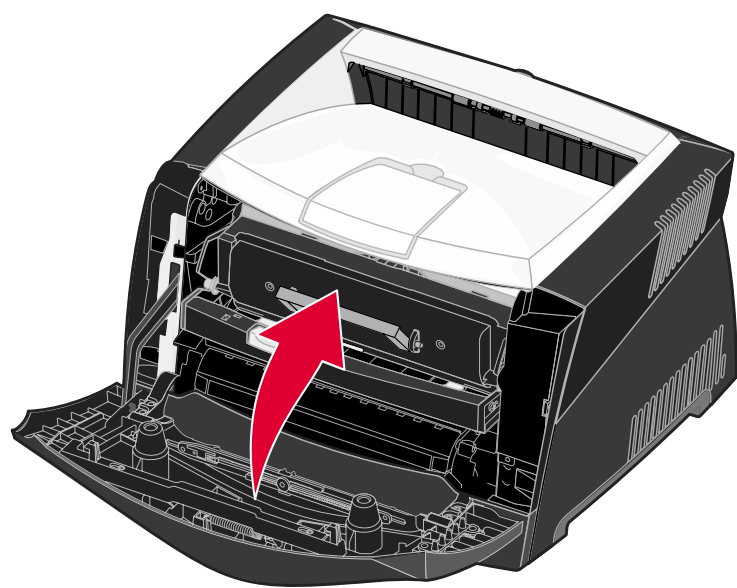
5



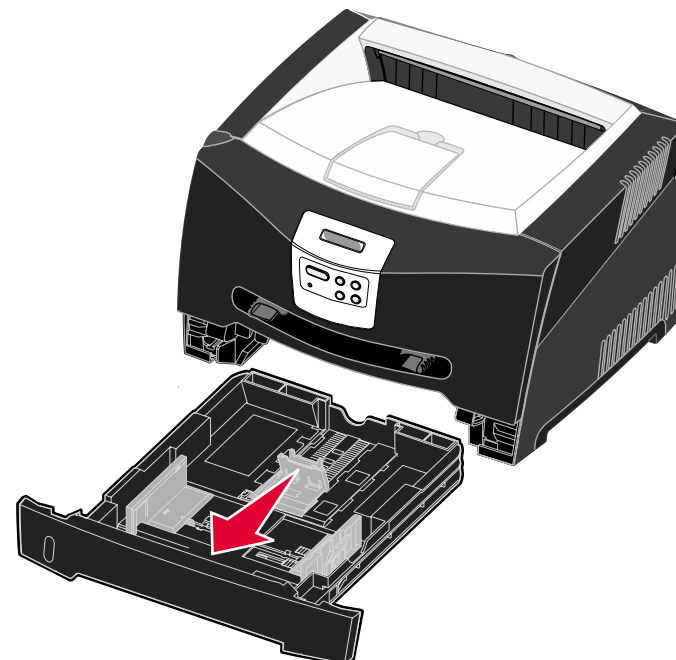
6



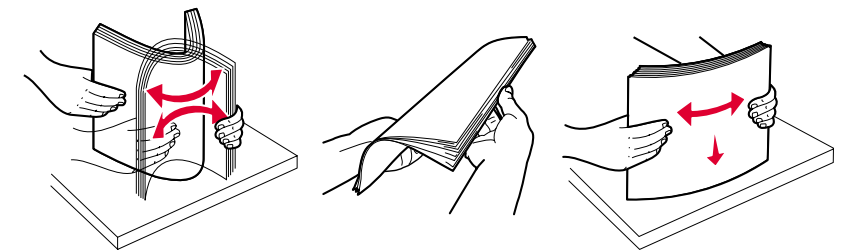
7



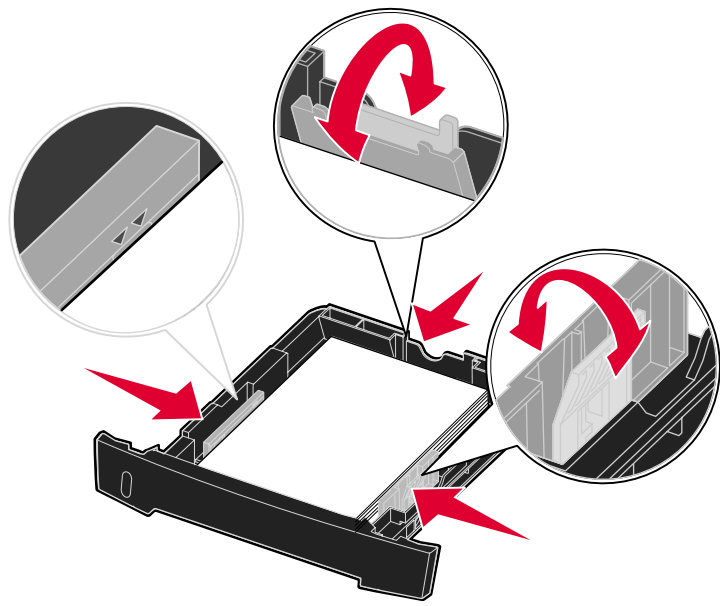
8



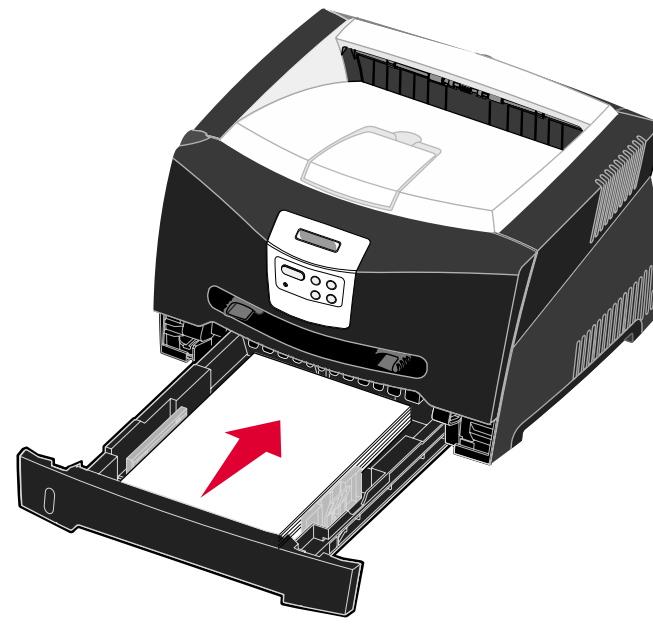
9



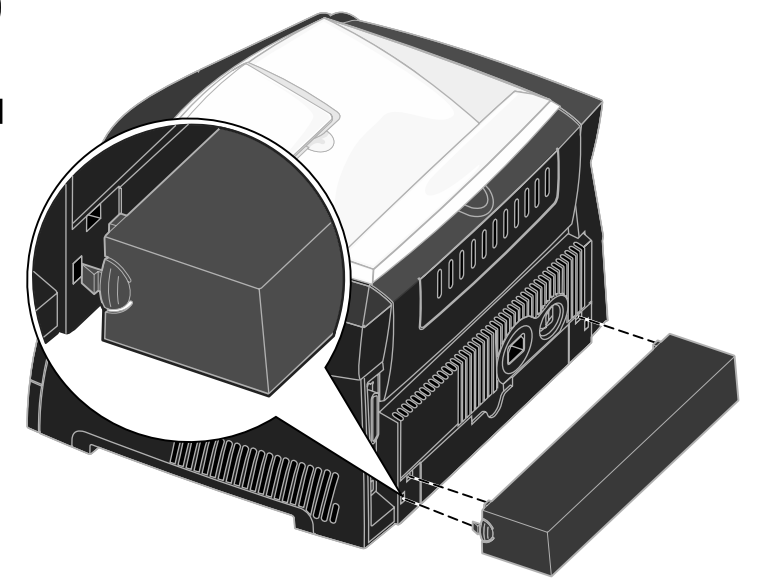
10



11



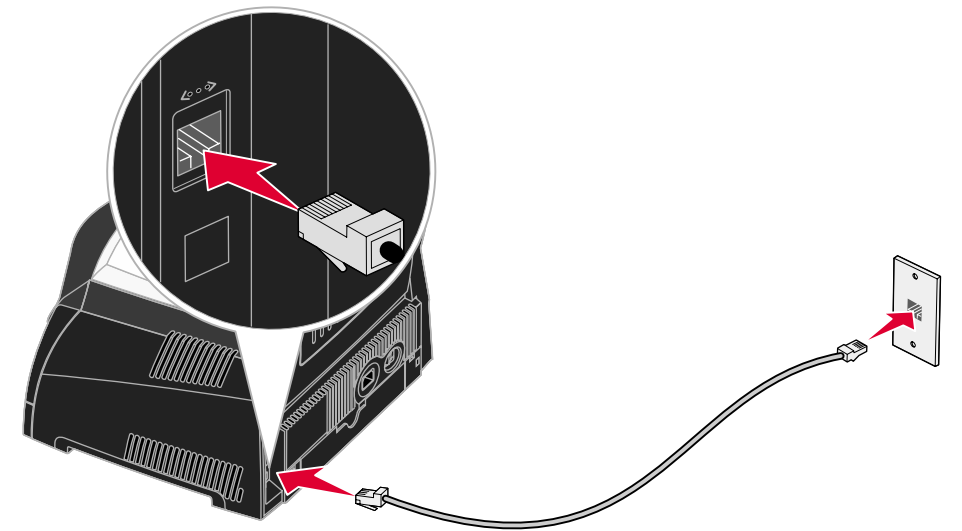
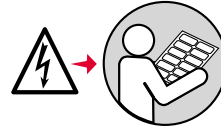
12



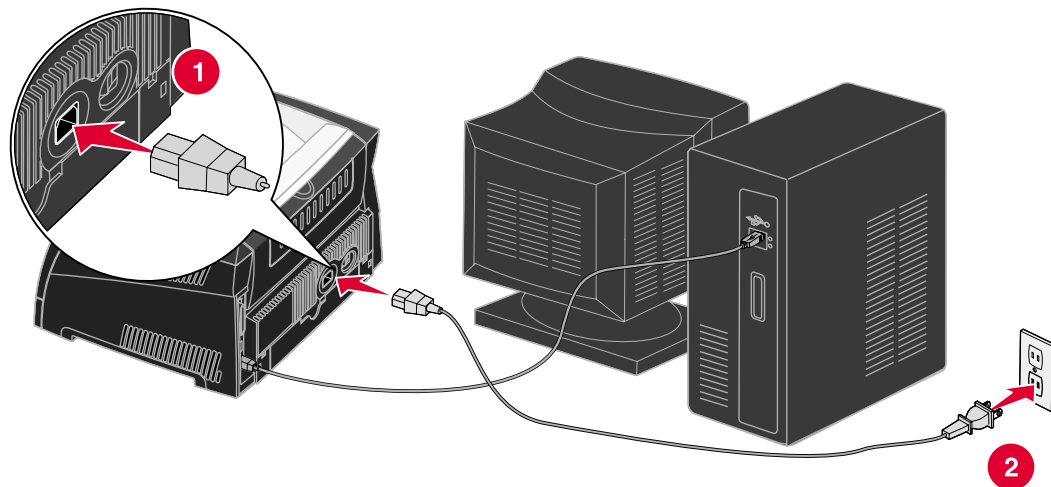
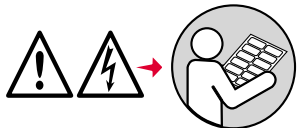
13



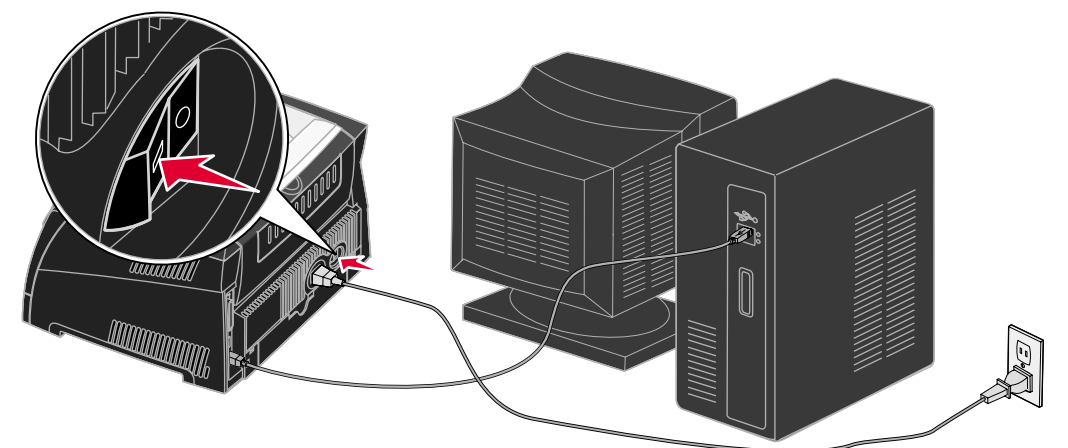
14



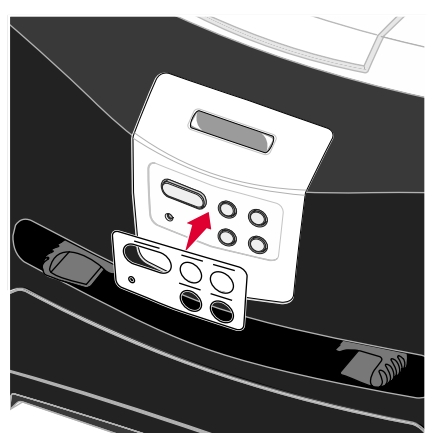
15



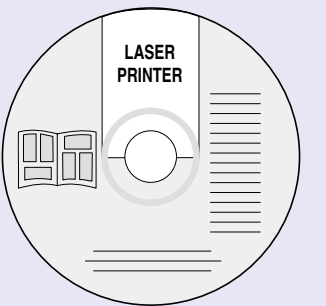
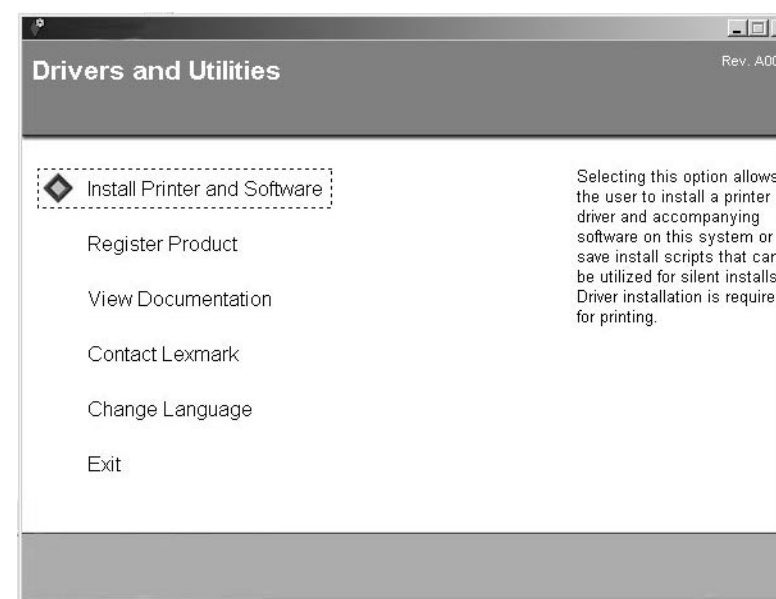
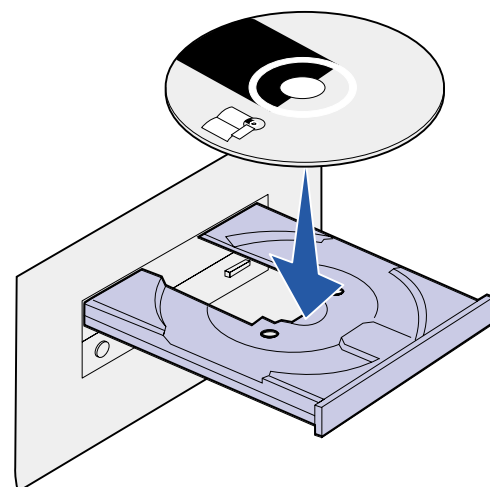
16



17



18



Federal Communications Commission (FCC) information

This device complies with the limits for a Class B device in Part 15 of the FCC rules. Refer to the publications CD for more compliance information.